

Fence and Center Kit for Compact Router Base Plate

05J66.10

When attached to the compact router base plate, the fence and center kit lets you use the edge of a workpiece as a reference when making cuts. It can also be set to accurately guide the compact router when cutting arcs or circles. It includes two straight fences made of torrefied maple (both 6" long, one 1 1/4" wide and the other 5/8" wide for thin stock), two curve guides, a circle arm with three interchangeable centers (sharp pin, 1/4" post, and flat disc), and a pair of 6" fence rods. The 6" fence rods allow offsets from zero to 5" with the straight fences and diameters from 6 1/2" to 20 1/2" with the circle arm. Pairs of 12" extension rods are available separately to extend the fence's reach.

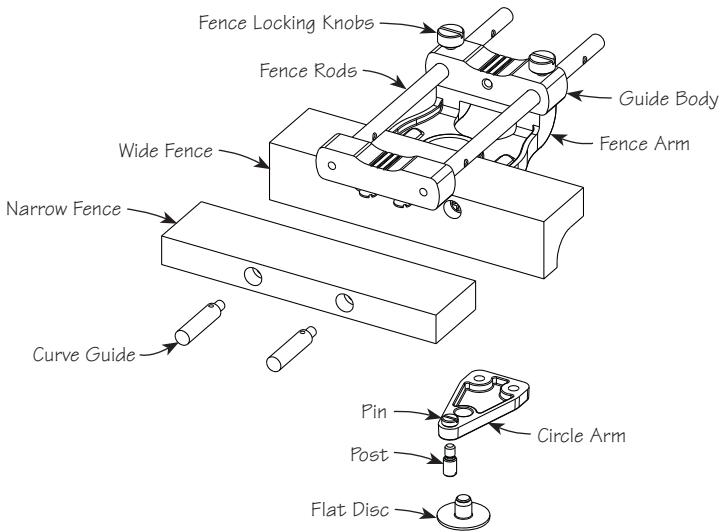


Figure 1: Fence and center kit components.

Installation

Install the guide assembly using the included screws through the countersunk holes in the base, as shown in **Figure 2**.

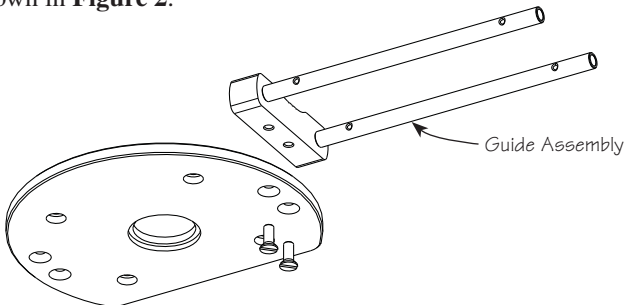


Figure 2: Fence installation.

Setting the Fence

To locate the fence relative to the bit, loosen the fence locking knobs, slide the fence to the desired setting, and tighten the fence locking knobs.

Curve Guides

When following edges that are not straight, switch out the wood fence for the curve guides.

Circle Arm

For cutting accurate arcs and circles, remove the fence arm and attach the circle arm to the guide body as shown in **Figure 5**.

Choose between three centers: the sharp pin for compass-like operation, the post for use with a 1/4" drilled hole, or the disc for times when you will not want a center point to permanently mark the surface.

Tip: The disc can be held temporarily in position with double-sided tape or hot-melt glue.

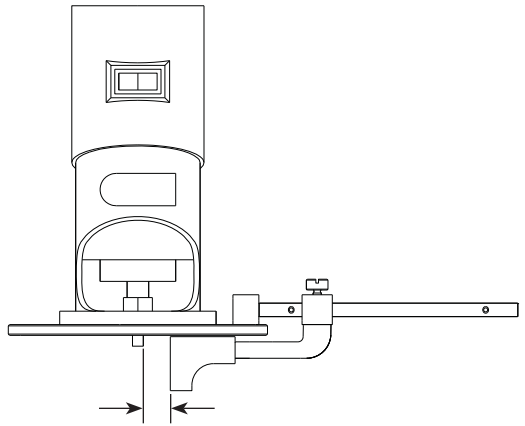


Figure 3: Fence setting.

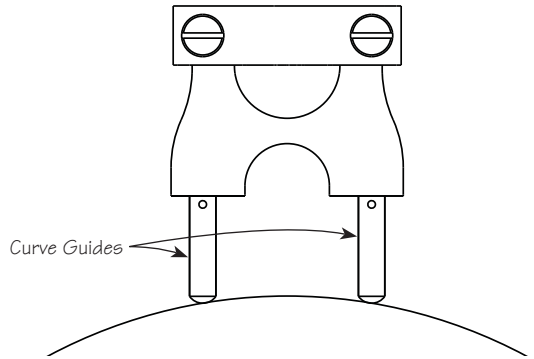


Figure 4: Curve guides.

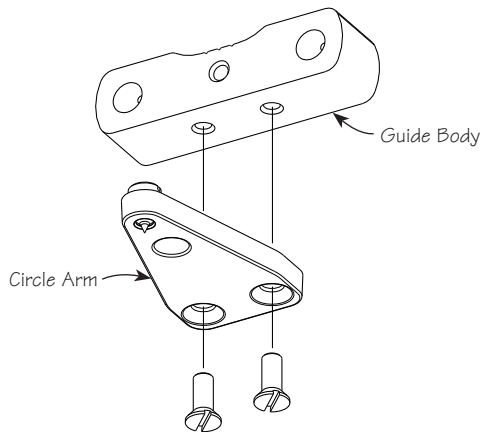


Figure 5: Attaching the circle arm.

For small circles, attach the circle arm so the point faces the base (**Figure 6**, left). For large circles, reverse the circle arm so the point faces away from the base to maximize the reach (**Figure 6**, right). Otherwise, the circle arm is used in the same manner as the fence.

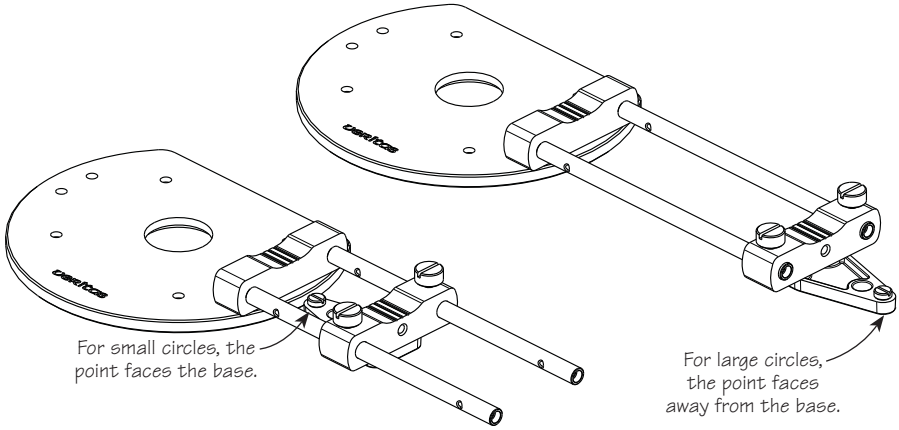


Figure 6: Configuration for small and large circles.

Precision Adjuster

The optional precision adjuster lets you fine-tune the fence settings with the adjusting knob ($1/2$ turn = $1/64$ ”). Simply slide it onto the fence rods and fasten the adjusting knob into the guide body.

To adjust the guide position:

1. Loosen all four locking knobs (fence and precision adjuster).
2. Slide the fence to the approximate position.
3. Tighten the locking knobs on the precision adjuster.
4. Fine-tune the position using the adjusting knob.
5. Tighten the locking knobs on the fence.

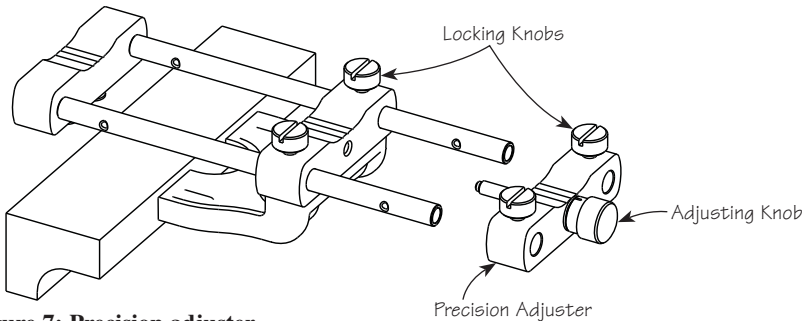


Figure 7: Precision adjuster.

Accessories

05J65.05 Precision Adjuster

05N29.06 12" Fence Rods, pr.

05J65.09 6" Traveller